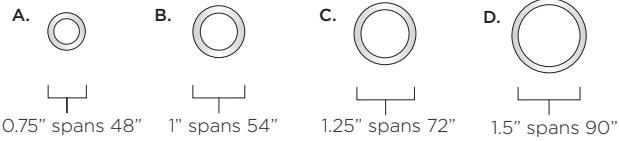


# Piedmont Drapery Hardware Order Sheet

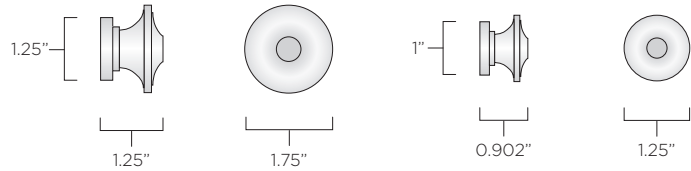
Rods - specify rod size with a circle or check mark



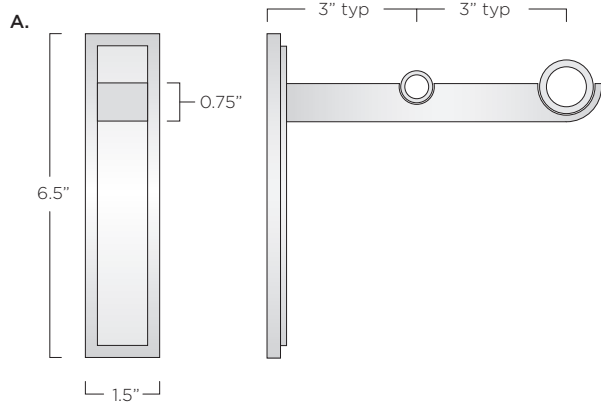
Finial - specify with a circle or a check mark

A. usually used on 1" to 1.5" rods

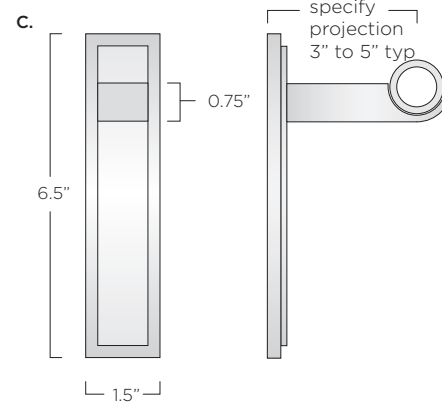
B. usually used on 3/4" to 1" rods



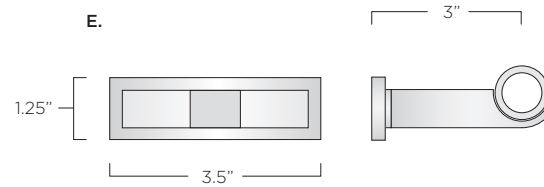
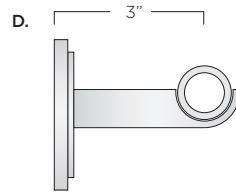
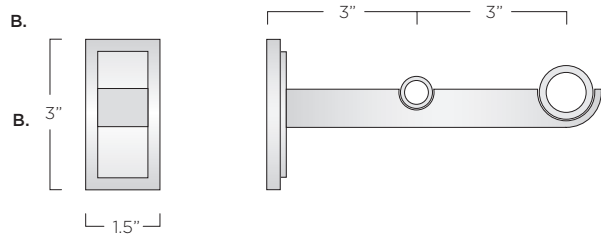
End Bracket Return / Side View/ double



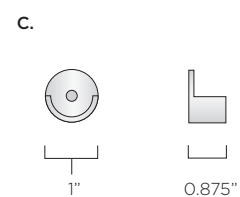
End Bracket Return /side view/ single



Center Bracket -

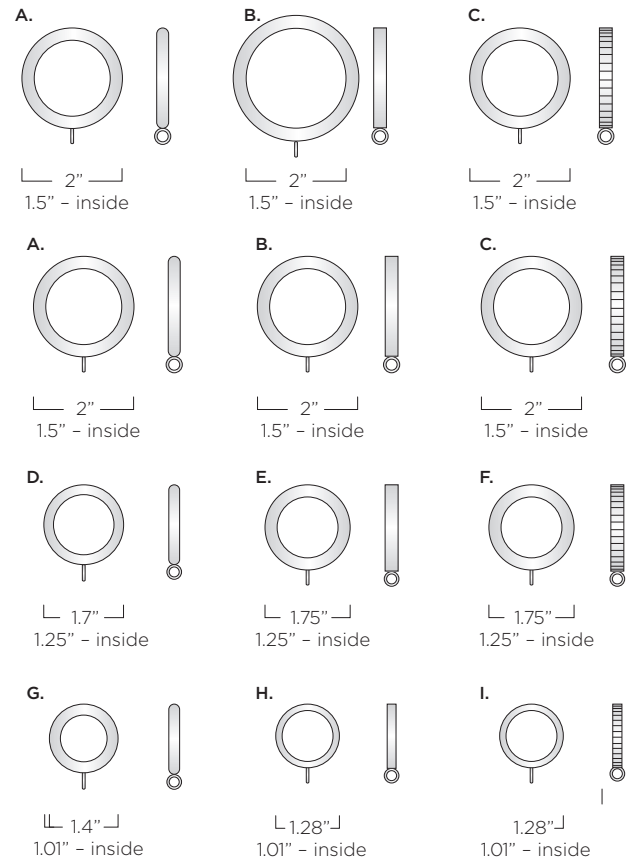


Cafe Bracket



note: Center brackets are always available in either vertical or horizontal wall mounting plates and are often customized to accommodate site conditions.

Rings - specify with a circle or a check mark



Specify finish Light medium or dark \_\_\_\_\_

Specify finish warm silver with plated rings (specialty finish contact T+R for pricing) \_\_\_\_\_

Specify projection from wall to C/L of rod \_\_\_\_\_

## Piedmont Drapery Hardware Order Sheet

rod set one

Length of rod \_\_\_\_\_ does rod length include final or not? Tell us if it is a double rod and specify size of main and sheer rod.

Number of end brackets (usually 2) \_\_\_\_\_

Number of center supports \_\_\_\_\_ Note that 2 or more center supports can trigger the need for pass through brackets and rings depending on your stack

Number of rings \_\_\_\_\_ pass through rings required? Y N If so tell us how many regular and how many pass through rings you will need.

Wands or batons needed and if so what length \_\_\_\_\_

Splices required or desired \_\_\_\_\_ Note we will review splices on the shop drawing

Special configuration? Bay or curved wall? Right angle elbow? Rod dies into a wall? Please provide a sketch to the right

---

rod set two

Length of rod \_\_\_\_\_ does rod length include final or not? Tell us if it is a double rod and specify size of main and sheer rod.

Number of end brackets (usually 2) \_\_\_\_\_

Number of center supports \_\_\_\_\_ Note that 2 or more center supports can trigger the need for pass through brackets and rings depending on your stack

Number of rings \_\_\_\_\_ pass through rings required? Y N If so tell us how many regular and how many pass through rings you will need.

Wands or batons needed and if so what length \_\_\_\_\_

Splices required or desired \_\_\_\_\_ Note we will review splices on the shop drawing

Special configuration? Bay or curved wall? Right angle elbow? Rod dies into a wall? Please provide a sketch to the right

---

rod set three

Length of rod \_\_\_\_\_ does rod length include final or not? Tell us if it is a double rod and specify size of main and sheer rod.

Number of end brackets (usually 2) \_\_\_\_\_

Number of center supports \_\_\_\_\_ Note that 2 or more center supports can trigger the need for pass through brackets and rings depending on your stack

Number of rings \_\_\_\_\_ pass through rings required? Y N If so tell us how many regular and how many pass through rings you will need.

Wands or batons needed and if so what length \_\_\_\_\_

Splices required or desired \_\_\_\_\_ Note we will review splices on the shop drawing

Special configuration? Bay or curved wall? Right angle elbow? Rod dies into a wall? Please provide a sketch to the right

---

notes:

1. This is transitional style hardware is a great choice if you need double rods
2. This hardware is high quality 1/8 wall architectural bronze and will require solid blocking at all bracket locations.
3. Quotations for all custom hardware are NOT final until the shop drawings are complete and approved.

