



HILLSBOROUGH
DRAPERY HARDWARE

See shop drawings on back for specifications and options.

MATERIALS

Cast bronze rods and rings,
architectural bronze bracket.

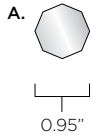
FINISH

Available in Light, Medium, Dark
or Warm Silver (premium finish).
Wax top coat.

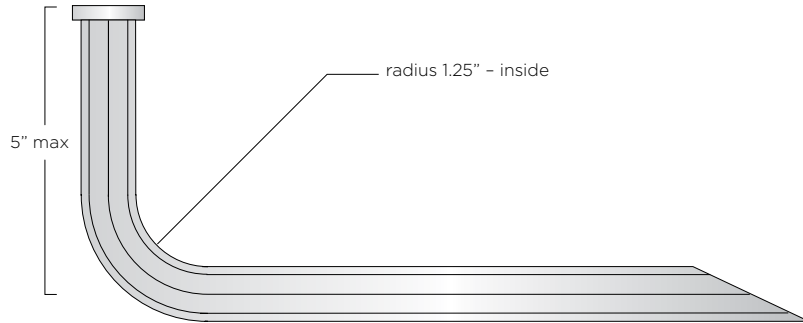


228 S. East Street, Cloverdale, CA 95425
TEL 707.669.0556 WEB tuellreynolds.com

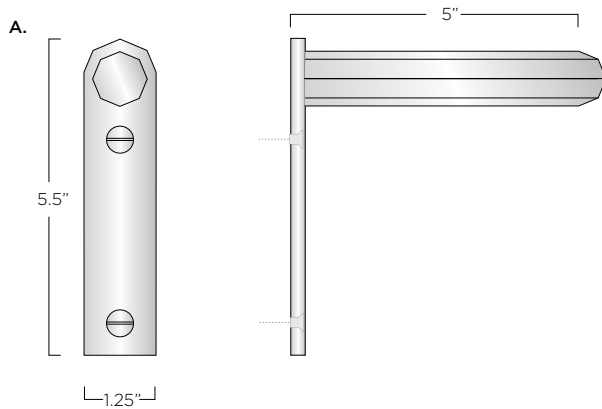
Rods



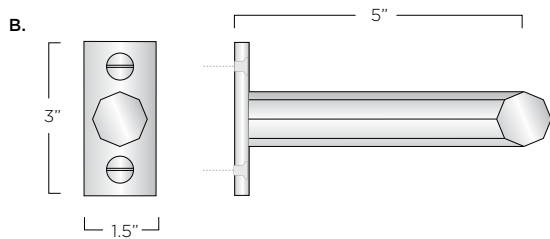
End Bracket Return / Top View



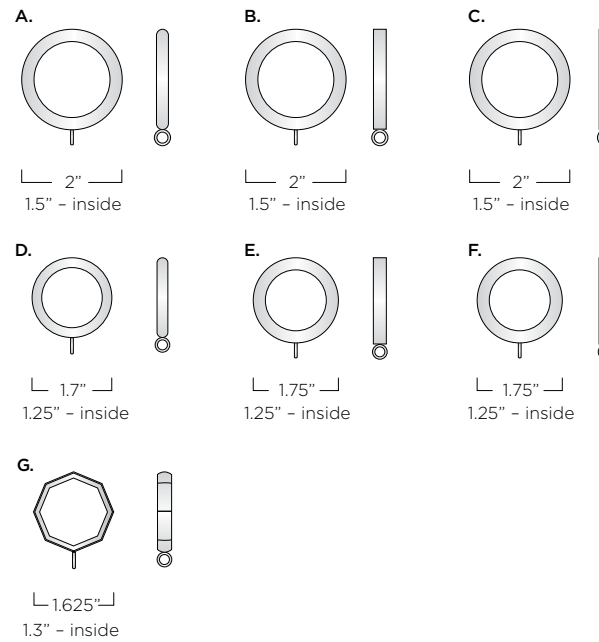
End Bracket Return / Side View



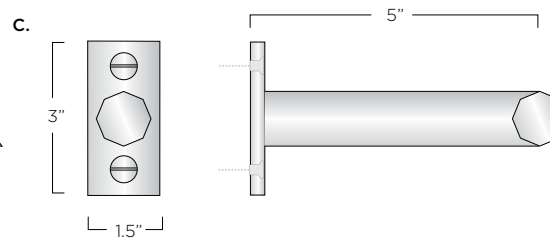
Center Bracket with integral splice



Rings



Standard Center Bracket (fixed)



HILLSBOROUGH DRAPERY HARDWARE

Standard Plan Configurations:

Rods

Solid Cast Bronze
A. DH - 500

Rings

Solid bronze.
A. DHR - 300
B. DHR - 310
C. DHR - 315 (hand hammered)
D. DHR - 200
E. DHR - 210
F. DHR - 215 (hand hammered)
G. DHR - 500 (custom cast bronze ring)

Brackets

Solid Bronze
A. DHB - 300H

B. DHB - 310H "T" style center bracket with integral splice

C. DHB - 320H standard center support

Additional Notes:

Custom configurations are also welcome.



228 S. East Street, Cloverdale, CA 95425
TEL 707.669.0556 WEB tuellreynolds.com