



COLMAR
DRAPERY HARDWARE

See shop drawings for specifications and options.

MATERIALS

Cold rolled steel rod with bronze rings.

FINISH

Bronze rings available in Light, Medium, Dark or Warm Silver (premium finish).

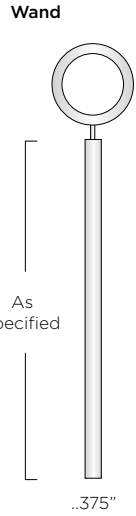
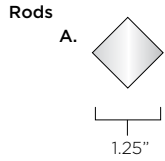
Lacquered rod with waxed bronze rings.

NOTES

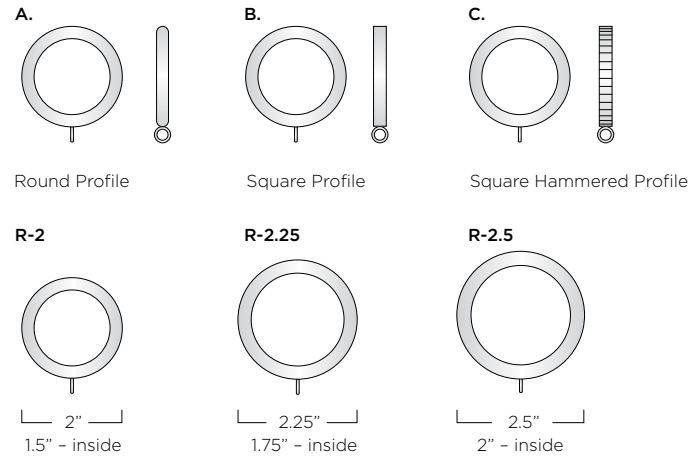
Hot rolled steel has an inherent fire scale texture.



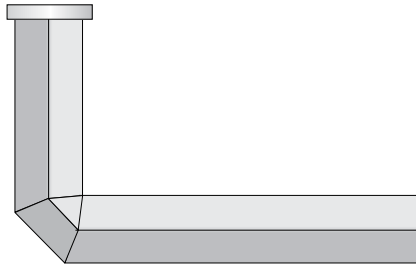
228 S. East Street, Cloverdale, CA 95425
TEL 707.669.0556 WEB tuellreynolds.com



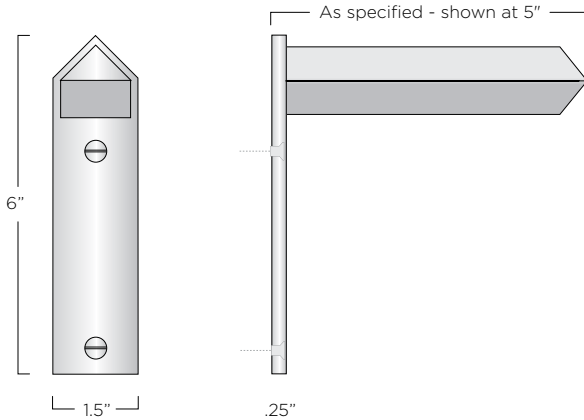
Rings - Offered in Three Styles (A,B,C) and Three Sizes (R2, R2.25, R-2.5)



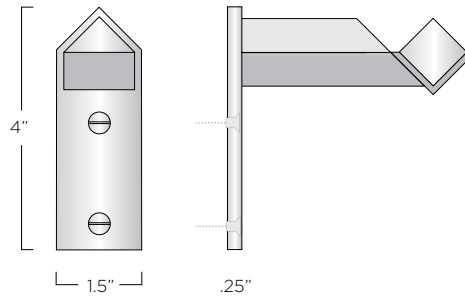
End Bracket Return / Top View



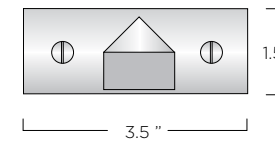
A. 6" End Bracket Return / Side View



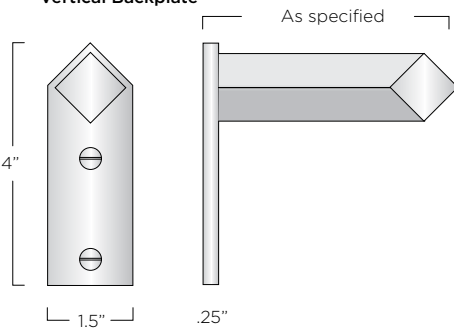
B. Center Bracket, Saddle style, Vertical Backplate



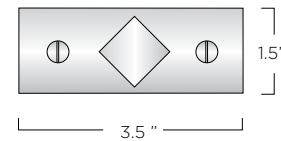
C. Center Bracket saddle style, Horizontal backplate



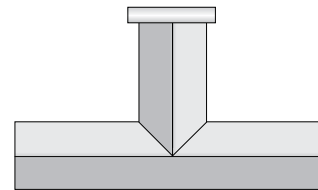
D. Center Bracket, Integrated Vertical Backplate



E. Center Bracket Integrated Horizontal backplate



Integrated Bracket Plan View



COLMAR DRAPERY HARDWARE

Standard Plan Configurations:

Rods - 1.125" Cold Rolled Steel
A. DHR - 100C

Rings - Solid Bronze
A. DHR - 300
B. DHR - 310
C. DHR - 315 (hand hammered)
Please Specify R-2, R-2.25 or R-2.5

Brackets - Cold Rolled Steel
A. DHB - 500C
B. DHB - 310V
C. DHB - 310H
D. DHB - 320V
E. DHB - 320H

Wand - .375" Solid Bronze Rod
DHB - W

Additional Notes:
 Custom configurations are also welcome.



228 S. East Street, Cloverdale, CA 95425
 TEL 707.669.0556 WEB tuellreynolds.com

note: center brackets can always have vertical or horizontal mounting plates